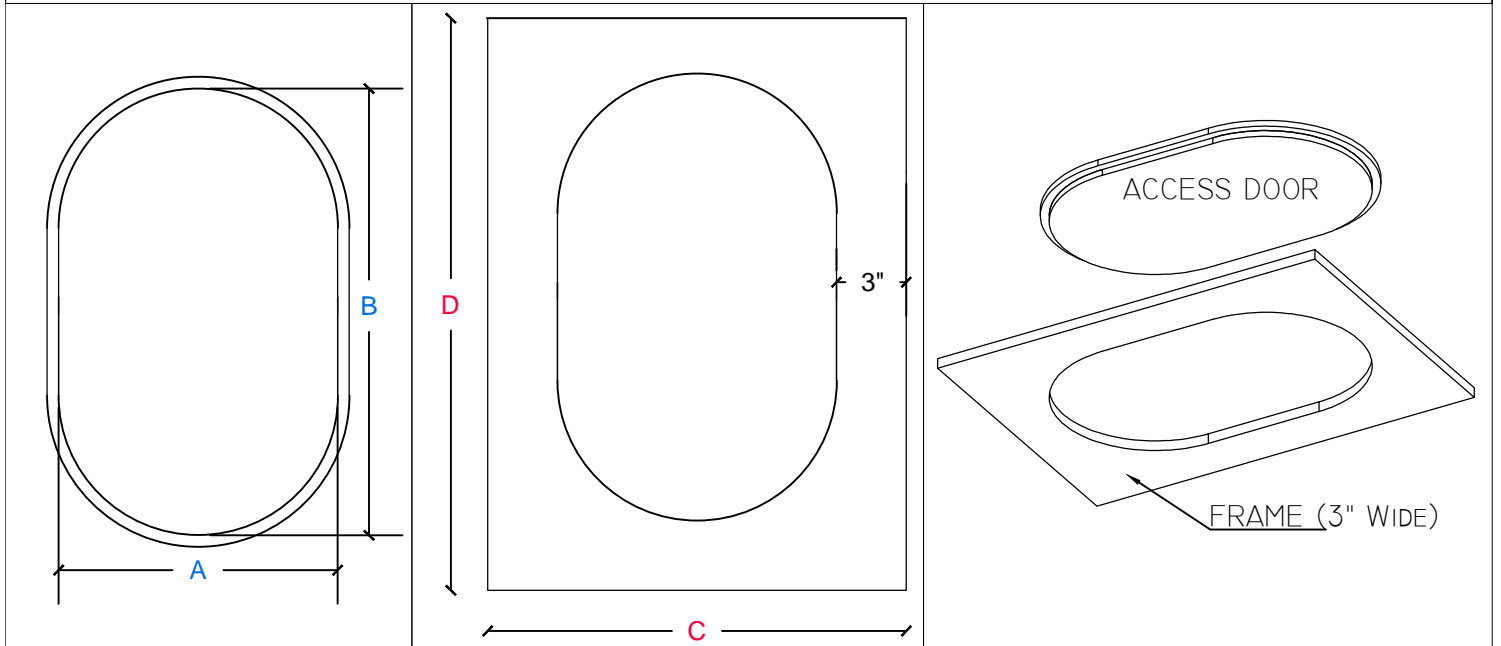


## Lift & Shift Access Panel Oval Door



PART #	DOOR OPENING		CENTER OF FRAMING		WEIGHT
	A	B	C	D	
APO10X20H	10"	20"	16"	26"	2.5 lbs.
APO12X24H	12"	24"	18"	30"	3 lbs.
APO14X28H	14"	28"	20"	34"	4 lbs.
APO16X32H	16"	32"	22"	38"	4.5 lbs.
APO18X36H	18"	36"	24"	42"	5.75 lbs.
APO24X48H	24"	48"	30"	54"	7 lbs.