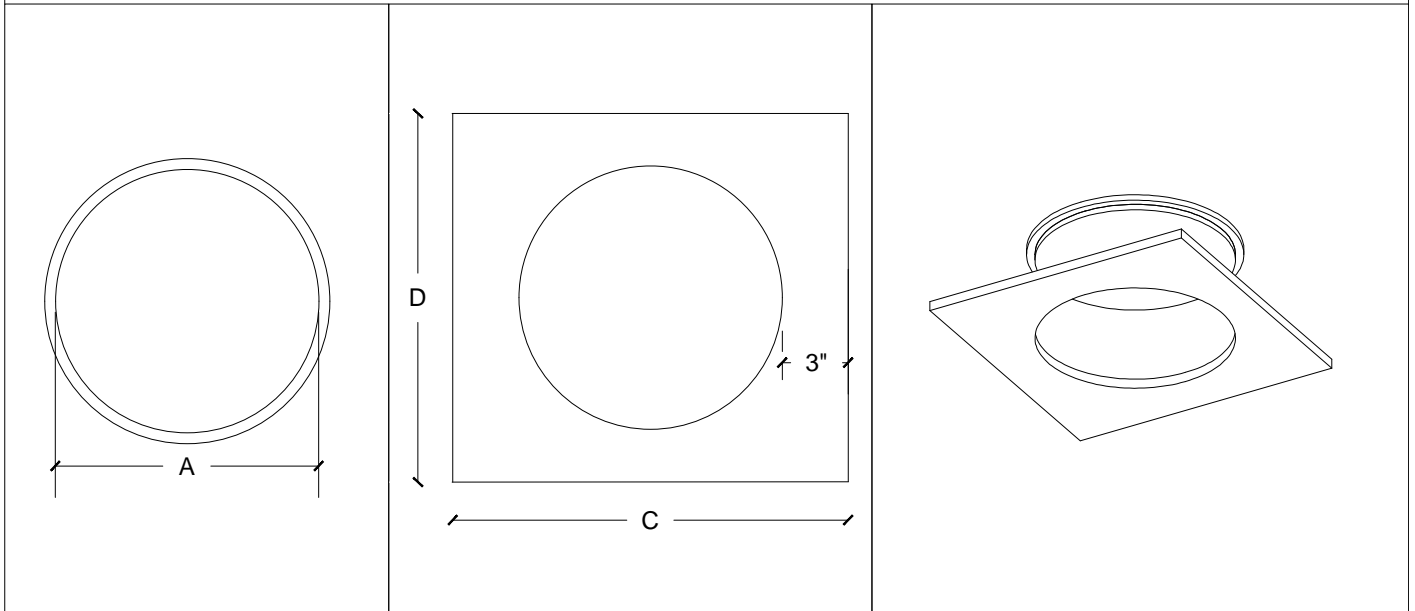


Lift & Shift Access Panel Oval Door



PART #	DOOR OPENING	CENTER OF FRAMING		WEIGHT
	A	C	D	
APR12	10"	16"	26"	2.5 lbs.
APR16	12"	18"	30"	3 lbs.
APR20	14"	20"	34"	4 lbs.
APR24	16"	22"	38"	4.5 lbs.